

## FILTER

Stainless steel

## TCR 6XF III SERIES



STANDARD SERIES FROM 3/4" TO 1", 60 BAR

OIL & GAS



Stainless steel 316L filters designed and manufactured for heavy-duty applications. Entirely made of stainless steel 316 L, compatible with all liquids and gases

### APPLICATIONS:

- Pharmaceutical industry;
- Chemical industry;
- Oil & gas and Off Shore applications
- Food industry

### FEATURES:

- Particular attention to the low surface roughness, to grant high cleaning standard;
- Compatible for use in aggressive environments;
- Suitable for extreme temperatures (-60°C), critical environments, hazardous applications;
- Suitable to be cleaned and sanitized by the most common processes;

### MATERIALS

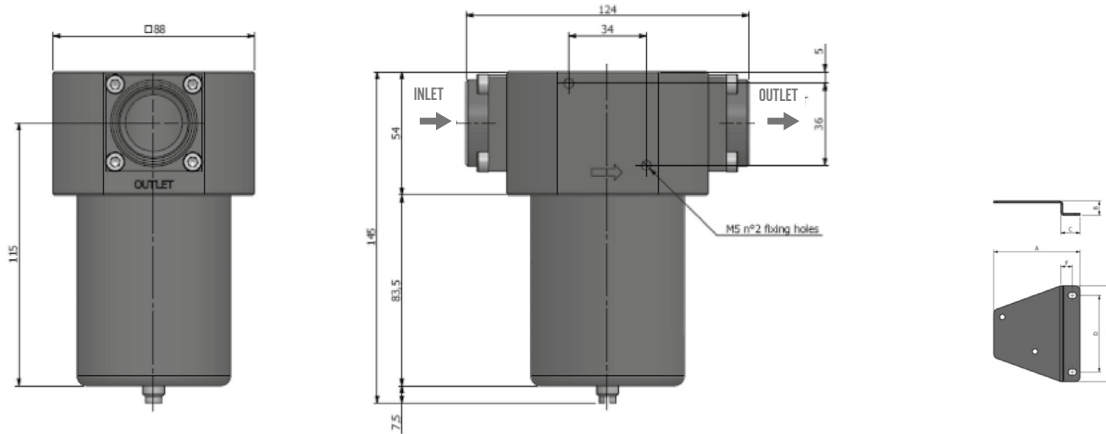
Body, bonnet	316L stainless steel
Bowl	316L stainless steel
Seals	HNBR – EPDM – FKM - Silicone
Internal parts	316L stainless steel
Filter element	Stainless steel 316L (5 µm, 25 µm, 50 µm or coalescent 0.01µm)

### TECHNICAL DATA

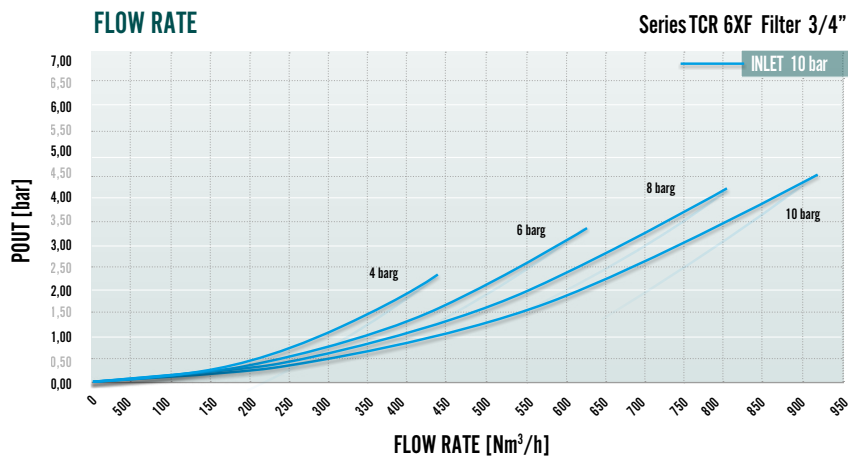
	3/4" SERIES III	1" SERIES III
Port thread	3/4" BSPP F – 3/4" NPT F	1" BSPP F – 1" NPT F
P. max Inlet	60 Bar (50 bar Temp>80°C) 16 Bar with automatic drain Optional version 70 Bar	
Flow rate *)	950 Nm <sup>3</sup> /h	
Weight	3.25kg/7lb	
Working temp.	-25°C to +110°C (HNBR) / -50°C to +130°C (EPDM) -60°C to +230°C Silicone / -20°C +200°C FKM (optional)	
Conformity to Directives	2014/34/EU ATEX - ASTM A182 Nace MR0.175	

\*) P<sub>in</sub> 10bar, P<sub>out</sub> 6.3bar, ΔP 1bar

## Stainless steel



SIZE	A	B	C	D	E	F
3/4"	90	15	20	80	100	12



### OPTIONALS :

- Bracket
- Flanges
- Coalescing microfilter 0.01 $\mu$ m
- Oring Kalrez®